

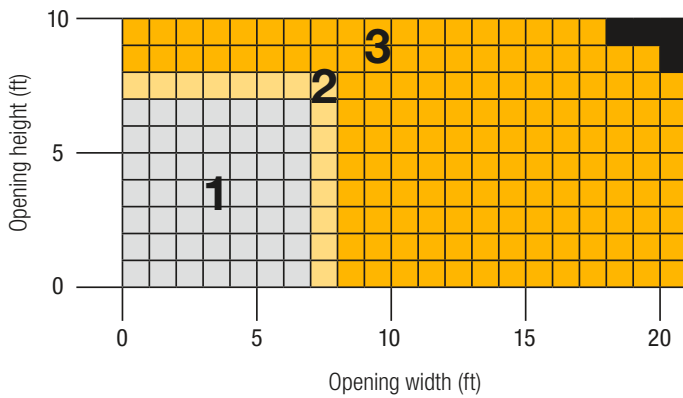
ROLLING COUNTER DOOR

MODEL ESC10



MEASURE THE WIDTH AND HEIGHT OF THE OPENING

DOOR SIZE AND AREA*

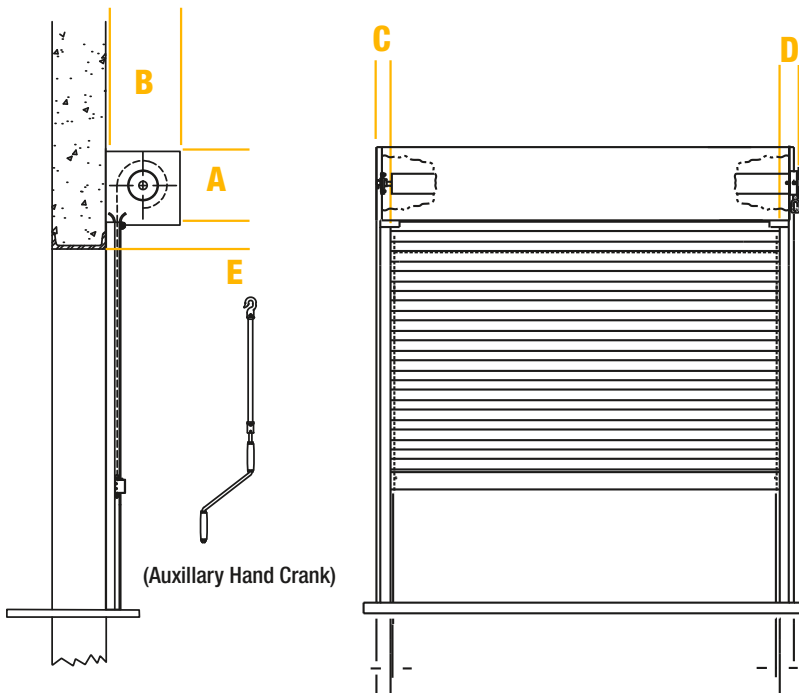


*Chart based on 22 gauge steel slats with tube motor operation.

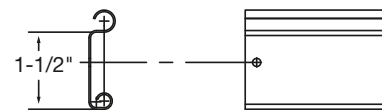
COMPONENT DIMENSIONS

Reference the zone number to view component dimensions for tube motorized doors.

Dimensions (in)	1	11	11	3	5	MIN UPSET BETWEEN 2"–5" DEPENDING ON CONFIGURATION
	2	12	12	3	5	
	3	13	13	3	5	
Zone	A	B	C	D	E	



SLAT CROSS SECTION



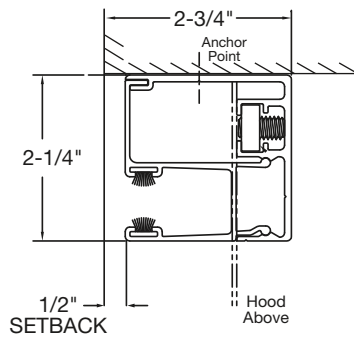
The details and dimensions on this sheet are provided as a rough guide for planning purposes.

GUIDE CONSTRUCTION OPTIONS

EXTRUDED ALUMINUM

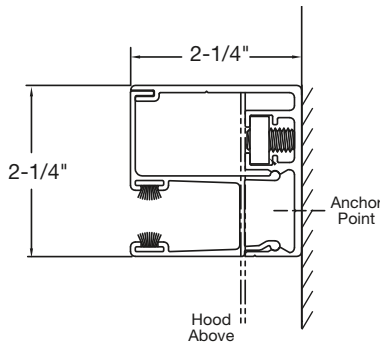
FACE OF WALL
(ALL OPERATION TYPES)

Guides are mounted to the interior or exterior side of the wall.



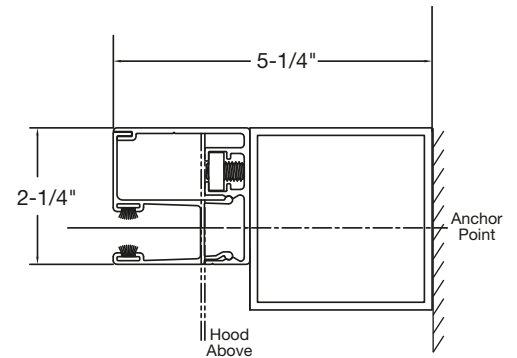
BETWEEN JAMBS
(FOR PUSHUP)

Guides are mounted to the inside of the jamb.



BETWEEN JAMBS
(FOR CRANK OR MOTOR)

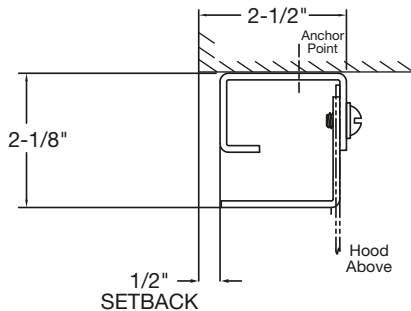
Guides are mounted to the inside of the jamb.



STEEL

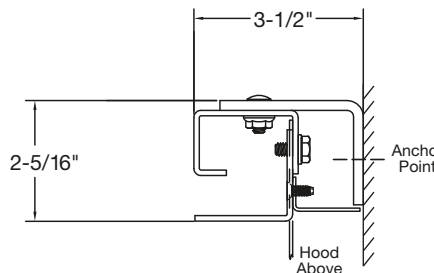
FACE OF WALL
(ALL OPERATION TYPES)

Guides are mounted to the interior or exterior side of the wall.



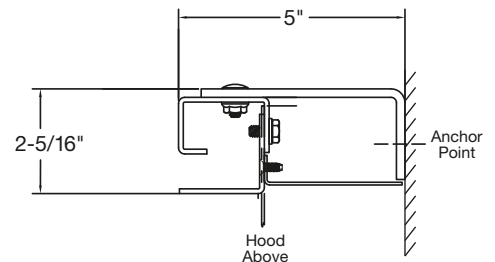
BETWEEN JAMBS
(FOR PUSHUP)

Guides are mounted to the inside of the jamb.



BETWEEN JAMBS
(FOR CRANK OR MOTOR)

Guides are mounted to the inside of the jamb.



The details and dimensions on this sheet are provided as a rough guide for planning purposes.

CUSTOM-DESIGNED SOLUTIONS

Contact our experienced Architectural Design Support Team for help in customizing our products to fit your specific application at www.architectdoorhelp.com.



For more information on these and other Clopay products, visit clopaycommercial.com. Architects and specifiers, visit architectdoorhelp.com.

